

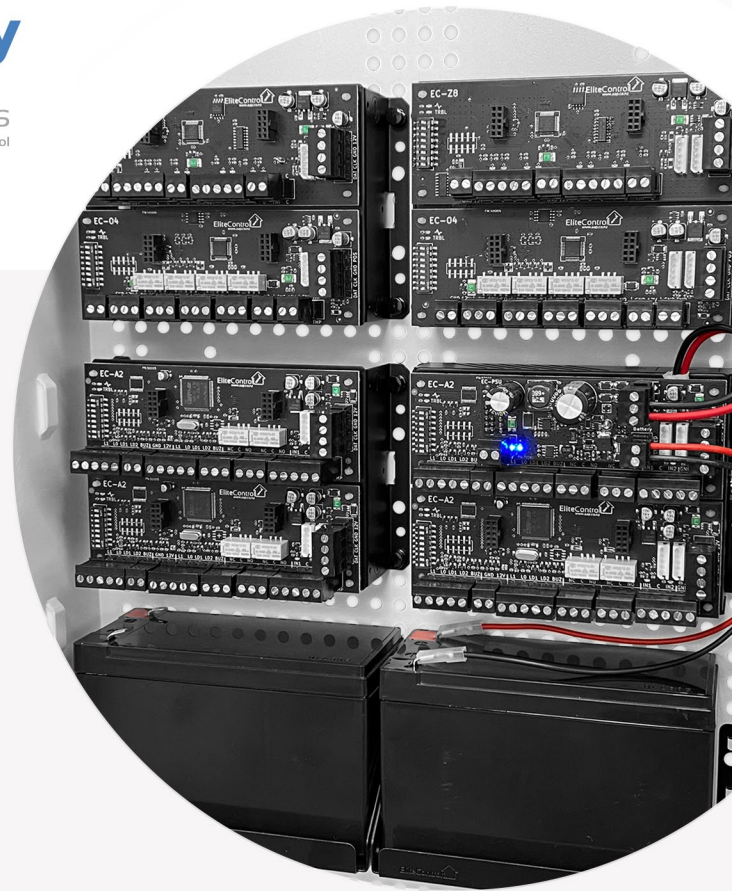
24V 2.2A Power Supply

EC-SCC PSU

 infinity series
powered by EliteControl

Universal power supply for EC-PCB,
EC-i control panel & EC-PSU2 plug
in power supply module

Mounts directly into the EC-MET CAB
& other standard structured cabling cabinets.
The EC-SCC PSU also mounts up to 2 x EC
expander modules to save cabinet real estate



Features

- 240VAC input
- 24VDC 2.2A output
- Built in IEC socket for simple 240VAC connection
- Supports up to 2 x EC expander modules
- Supports 1 x EC-PCB or EC-i with EC-SCC ADAPTER
- Includes 4 x press fit mounting pins
- 130mm fly leads for 24VDC connection
- Best utilised with EC-SCC BATT SLA battery holder



Compatible products

EC-PCB | EC-i | EC-PSU

5 Year **Warranty**

Universal power

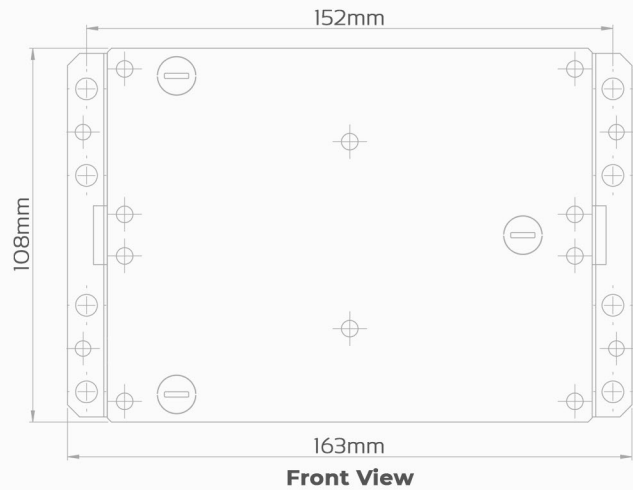
Dimensions & Accessories

EC-SCC PSU



EC-SCC PSU

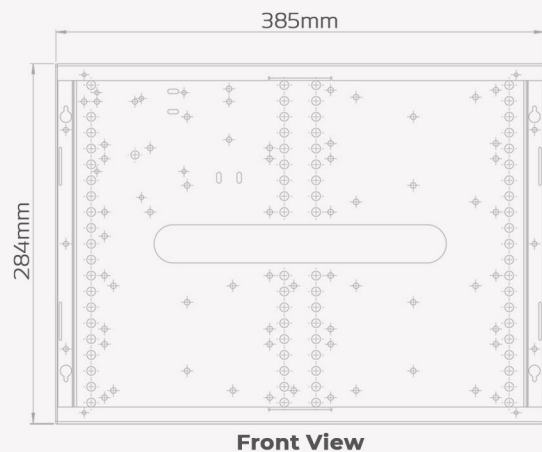
Footprint supports up to 2 x EC expander modules



Recommended Cabinet (sold separately)

EC-MET CAB S or EC-MET CAB F

Metal security/data cabinet for surface or flush mount domestic or commercial applications. Use EC-SCC PLATE, EC-SCC PSU & EC-SCC BATT to mount EC modules into standard data cabinets



Accessory (sold separately)

EC-SCC BATT

Allows SLA batteries to be mounted directly below EC-SCC PSU inside data or structured cabling cabinets. Ideal for mounting DM12-3 or DM12-7.5 SLA batteries (also sold separately)

